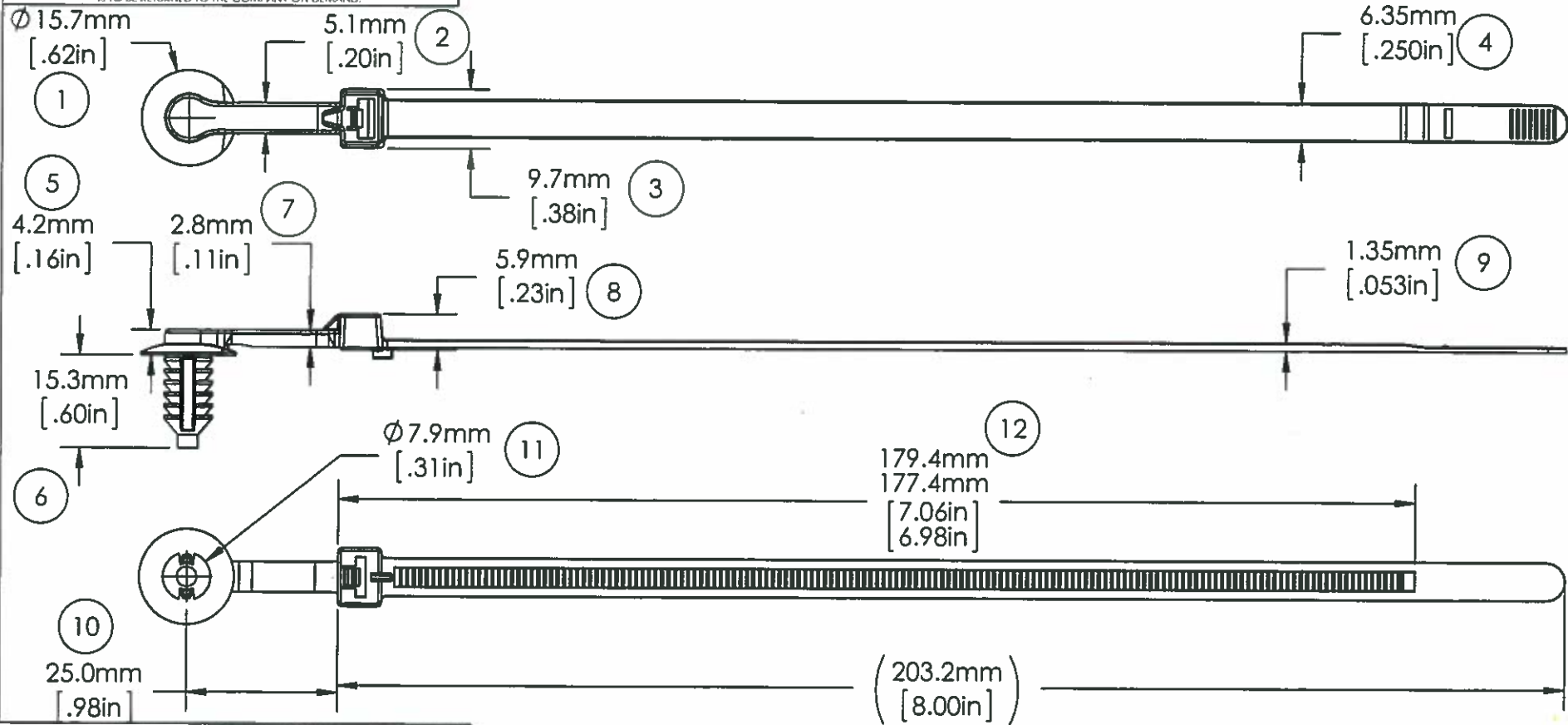


AVERY DENNISON MARKETING SPECIFICATION

HISTORY

REV.	DATE	DESCRIPTION
A	12-4-15	RELEASED

THE SUBJECT MATTER DISCLOSED HEREIN EMBODIES PROPRIETARY INFORMATION WHICH IS THE CONFIDENTIAL PROPERTY OF THE AVERY DENNISON CO. NONE OF WHICH SHALL BE COPIED, REPRODUCED, DISCLOSED TO OTHERS, PUBLISHED OR USED IN WHOLE OR IN PART, FOR ANY PURPOSE OTHER THAN THAT FOR WHICH IT IS BEING MADE AVAILABLE WITHOUT THE EXPRESS ADVANCE WRITTEN PERMISSION OF A DULY AUTHORIZED AGENT OF THE COMPANY. THIS DOCUMENT IS THE PROPERTY OF THE AVERY DENNISON CO. AND IS TO BE RETURNED TO THE COMPANY ON DEMAND.



MOUNTING:	Ø 6.6mm ± 0.25mm HOLE AND 6.35mm HEX HOLE. PANEL THICKNESS OF 0.7mm TO 7mm.
TENSILE STRENGTH:	50 LBF / 222N MIN.
OPERATING TEMP RANGE:	-40°F (-40°C) TO 302°F (150°C) CONTINUOUS AND 329°F (165°C) AT MAXIMUM EXPOSURE
WEIGHT:	2.64 GRAMS
BUNDLE DIAMETER:	Ø 1/16" [1.6mm] TO Ø 1-7/8" [47.6mm]
TOOL:	12001 - HAND TOOL 12500 - PNEUMATIC TOOL
TOOL TENSION SETTING:	6 - 8
PACKAGING:	500/BAG, 10 BAGS/MASTER

APPROVALS:	ENG. APPR. <i>[Signature]</i> 12/4/15
	Q.A. APPR. <i>[Signature]</i> 12/4/15

SPECIFIED TOLERANCES ARE:	
.XX ± .03 INCHES	.X ± .7 MM
.XXX ± .010 INCHES	.XX ± .25 MM
ANGULAR: ± 2°	

MATERIAL	NYLON 6/6, IMPACT MODIFIED, HEAT STAB
COLOR	BROWN

AVERY DENNISON <small>FASTENER DIVISION FITCHBURG, MA 01420 U.S.A. TEL. 1-800-225-5913 FAX. 978-353-8157</small>	DESCRIPTION	STOCK NO.	REV.
	25mm LIFT OFFSET TIE- REVERSED HIGH HEAT	20133-HHBN	A